

# 1/2" Press X 1/2" MIP Full Port Ball Valve

Lead Free

## FEATURES

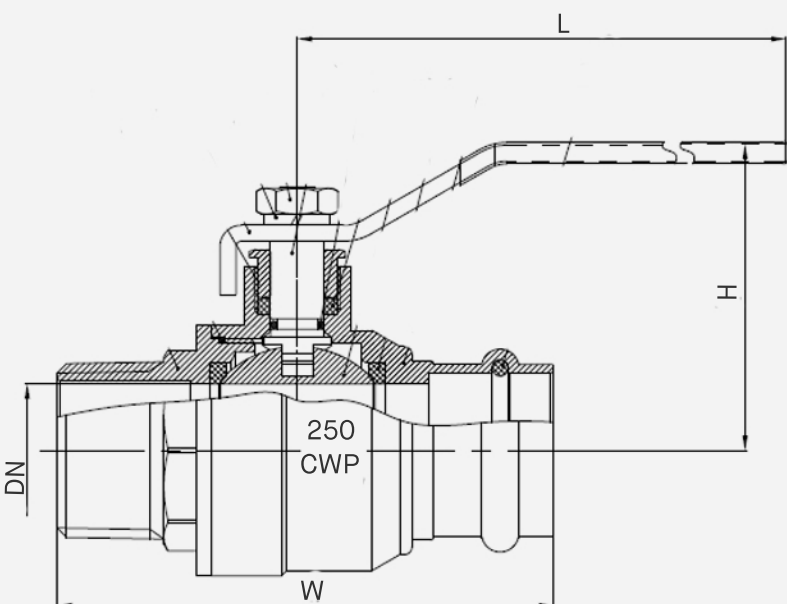
- DZR Brass – Makes the ball valve resistant to dezincification corrosion and safe to use in plumbing and drinking water systems

High Pressure Rating – Able to withstand pressure up to 250 WOG (non-shock)

High Temperature Rating – Able to withstand working temperatures up to 203°F

Lead Free – Meets cUPC, NSF/ANSI 61, and NSF372/ANSI 372 standards for safe use in commercial and residential systems

Connection Type: Press x MNPT



SKU	DN	W	H	L
PRMBV050	0.59"	2.85"	1.81"	3.46"