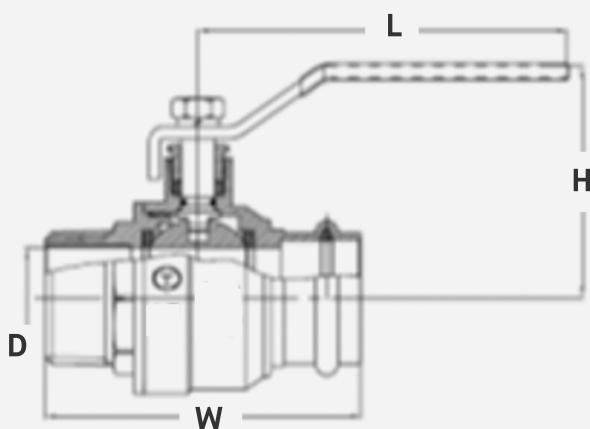


# Press x FIP Full Port Ball Valve

(Lead Free)

## FEATURES

- **Forged Brass Body** – enhances the ball valve’s durability and longevity.
- **Rated for Durability** - Has a non-shock cold working pressure rating of 250psi and a working temperature rating of 250°F.
- **Stainless Steel Ball Valve** – for increased corrosion resistance
- **Lead Free** – Meets NSF/ANSI 61, IAPMO Z1157, and NSF372/ANSI 372 standards for safe use in commercial and residential lead-free drinking water systems.
- **Fully Compliant** - Meets ANSI B1.20.1 standards for thread and IAPMO PS117 standards for press.
- **Blow-Out Proof Stem Design** - Ensures a reliable seal.
- **Vinyl Grip** – for comfortable, non-slip operation.



SKU	Size	D	L	H	W	Cv
PRFBV050	1/2"	0.59"	3.46	1.81"	3.15"	18.55
PRFBV075	3/4"	0.75"	4.29"	2.09"	3.60"	29.76
PRFBV100	1"	0.98"	4.29"	2.25"	3.92"	51.55
PRFBV125	1-1/4"	1.26"	5.63"	2.52"	4.13"	84.42
PRFBV150	1-1/2"	1.57"	5.63"	2.74"	5.35"	131.93
PRFBV200	2"	1.94"	5.63"	3.03	6.79"	200.35

Number	Part	Material
1	Body	Lead Free Brass
2	Seat	PTFE
3	Ball	Stainless Steel
4	Packing	PTFE
5	Packing Nut	Brass
6	Packing Nut	Brass
7	Handle Nut	Plated Steel
8	Lock Washer	Plated Steel
9	Handle	Plated Steel
10	Packing Nut	Brass
11	O-Ring	NBR
12	Cap	Lead Free Brass
13	Press O-Ring	EPDM