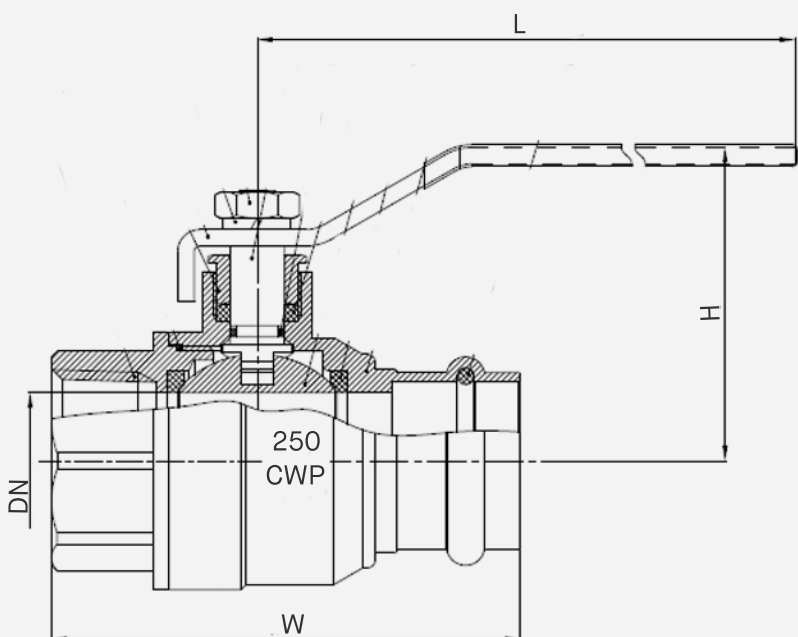


1/2" Press X 1/2" FIP Full Port Ball Valve

Lead Free

FEATURES

- DZR Brass – Makes the ball valve resistant to dezincification corrosion and safe to use in plumbing and drinking water systems
- High Pressure Rating – Able to withstand pressure up to 250 WOG (non-shock)
- High Temperature Rating – Able to withstand working temperatures up to 203°F
- Lead Free – Meets cUPC, NSF/ANSI 61, and NSF372/ANSI 372 standards for safe use in commercial and residential systems



SKU	DN	W	H	L
PRFBV050	0.59"	2.60"	1.81"	3.46"