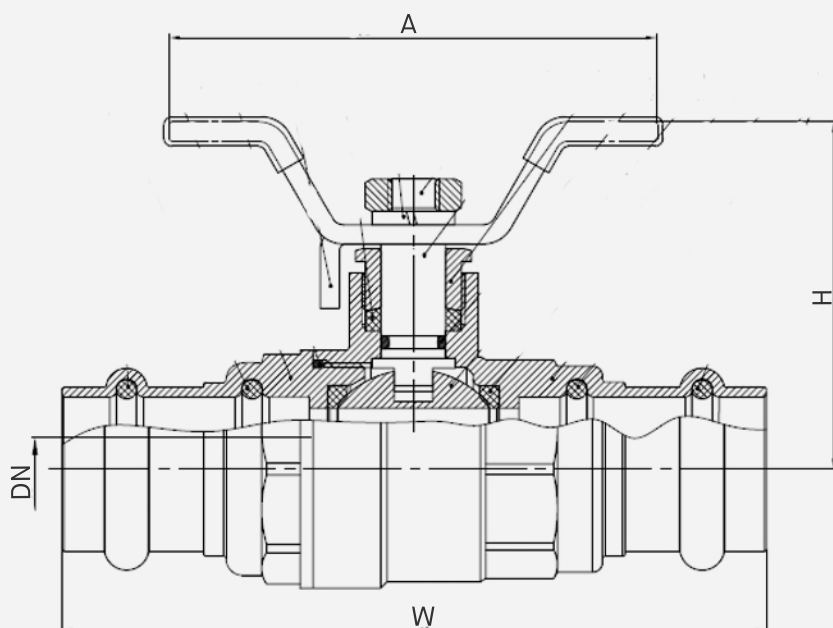


1/2" T-Handle Full Port Press Ball Valve

Lead Free

FEATURES

- **Built for versatility** - Can withstand temperatures from -20° F to 300° F for use in a wide-variety of systems
- **Rated for Durability** - Has a water, oil, and gas rating of 600psi and a working steam pressure of 150 psi
- **Lead-Free Brass Construction** - Made from C46500 brass alloy for safe and effective use in commercial and residential jobs.
- **Fully Compliant** - Meets, NSF/ANSI 61, and NSF372/ANSI 372 standards for safe use in commercial and residential lead-free drinking water systems
- **Connection Type:** Press x Press



Size	DN	W	L	H
1/2"	.59"	3.66"	2.38"	1.85"