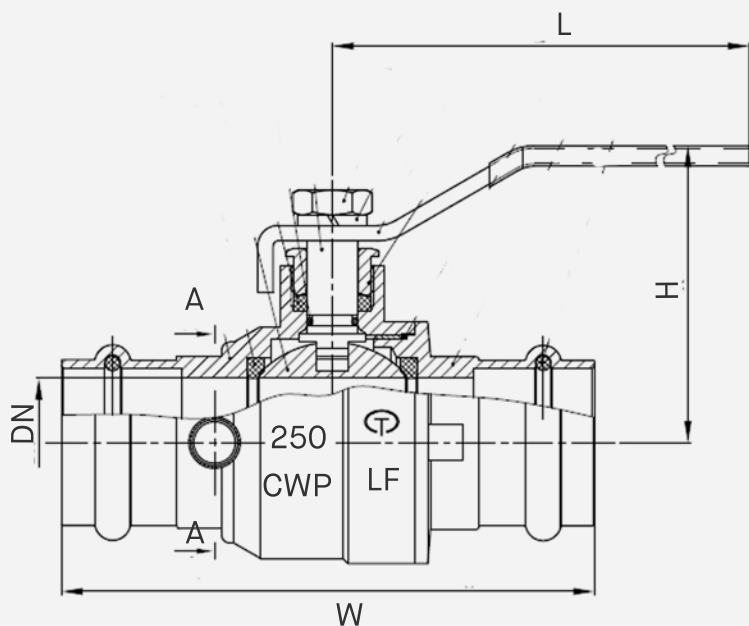


# 1" Full Port Press Ball Valve w/ Drain

Lead Free

## FEATURES

- **DZR Brass** – Makes the ball valve resistant to dezincification corrosion and safe to use in plumbing and drinking water systems
- **High Pressure Rating** – Able to withstand pressure up to 250 WOG (non-shock)
- **High Temperature Rating** – Able to withstand working temperatures up to 203°F
- **Lead Free** – Meets cUPC, NSF/ANSI 61, and NSF372/ANSI 372 standards for safe use in commercial and residential systems
- **Connection Type:** Press x Press



Size	DN	W	L	H
1"	.98"	4.07"	4.29"	2.25"