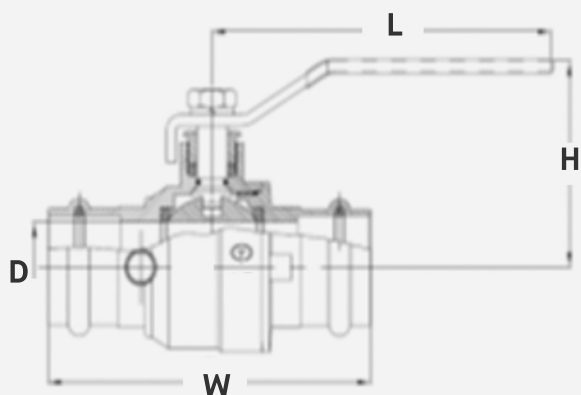


Full Port Press Ball Valve w/ Drain

(Lead Free)

FEATURES

- **High Pressure Tolerance** - Able to withstand a maximum working pressure of 250psi.
- **High Temperature Tolerance** - Able to withstand a maximum temperature of 250°F.
- **Blow-Out Proof Stem Design** - Ensures a reliable seal.
- **Vinyl Grip** – for comfortable, non-slip operation.
- **Lead Free** – Meets IAPMO Z1157, NSF/ANSI 61, and NSF372/ANSI 372 standards for safe use in commercial and residential lead-free drinking water systems.



SKU	Size	D	L	H	W	Cv
PRBVD050	1/2"	0.59"	3.46	1.81"	3.15"	18.55
PRBVD075	3/4"	0.75"	4.29"	2.09"	3.60"	29.76
PRBVD100	1"	0.98"	4.29"	2.25"	3.92"	51.55

Number	Part	Material
1	Body	Lead Free Brass
2	Seat	PTFE
3	Ball	Stainless Steel
4	Packing	PTFE
5	O-Ring	NBR
6	Stem	Brass
7	Handle Nut	Plated Steel
8	Lock Washer	Plated Steel
9	Handle	Plated Steel
10	Packing Nut	Brass
11	O-Ring	NBR
12	Cap	Lead Free Brass
13	O-Ring	EPDM
14	Screw	Brass
15	Gasket	EPDM