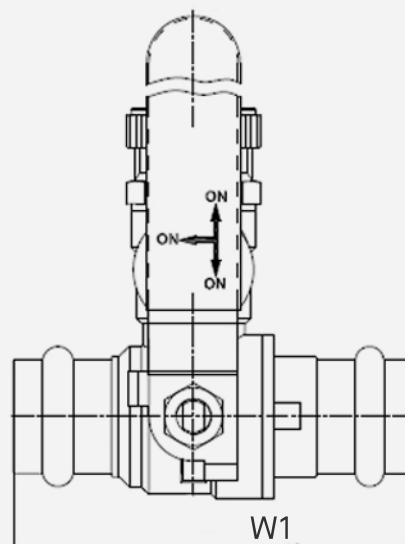
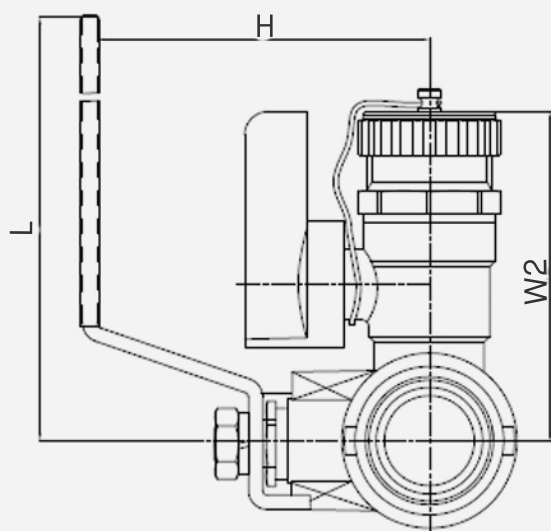


# Press Ball Valve w/ Hose Drain

Lead Free

## FEATURES

- Lead Free – Ensures safe and effective use in drinking water systems
- Certifications: UPC/NSF61/NSF 372 – For safety and compliance in commercial and residential jobs
- Press x Press Connection – For a fast, secure installation
- Includes Hose Drain – For convenient system maintenance and draining
- Brass Construction – Provides excellent corrosion resistance and durability
- Lever Handle Style – Allows for easy operation and quick shutoff



SKU	H	L	W1	W2
PRBV050HD	2.71"	3.34"	3.28"	2.72"
PRBV075HD	2.88"	4.84"	3.54"	2.72"
PRBV100HD	3.04"	4.84"	3.78"	2.74"
PRBV125HD	3"	5.11"	4.41"	3"
PRBV150HD	3.19"	5.11"	5.35"	3.51"
PRBV200HD	3.51"	5.11"	6.53"	3.81"