

# Expansion PEX Frost Free Sillcock with Anti-Syphon

(Lead Free)

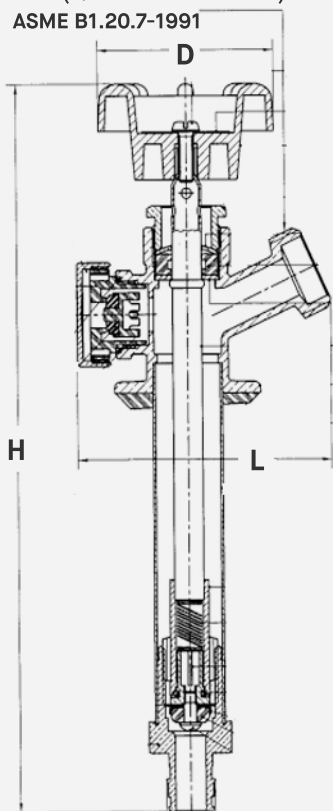
## FEATURES

- **Brass Construction** – The chrome-plated C46400 brass alloy includes tin for added corrosion resistance and excellent strength
- **Fitting System Compatibility:** Expansion PEX
- **High Pressure Tolerance** – Capable of withstanding high-pressure environments up to 200PSI.
- **High Temperature Tolerance** – Suitable for use in environments with elevated temperatures up to 200°F, maintaining integrity and performance under thermal stress.
- **ASTM F1960 Compliant** – assures quality, safety, and suitability for plumbing applications, including those requiring NSF certification for potable water systems.



Please note: This product is susceptible to dezincification and does not hold a high DZR rating. This product should not be used in applications where brass parts may be exposed to hard water with high sulfur or mineral content.

MHT (3/4" - 11.5NH Thread)  
ASME B1.20.7-1991



1/2" PEX F1960

SKU	Size	Dimensions		
		D	H	L
PPSIL050-8AS	1/2" PEX F1960 x 3/4" MHT x 8"	2.20"	12.65"	3.07"
PPSIL050-10AS	1/2" PEX F1960 x 3/4" MHT x 10"	2.20"	14.66"	3.07"
PPSIL050-12AS	1/2" PEX F1960 x 3/4" MHT x 12"	2.20"	16.71"	3.07"

No	Parts	Materials	QTY	Water Contact
1	Bolt	Forged Brass C26000	1	No
2	Name Plate	Aluminum A1100	1	No
3	Handle	Aluminum A1100	1	No
4	Bonnet	Brass Rod C37700	1	No
5	Washer	Stainless Steel 304	1	No
6	Packing	Rubber (NBR) SN-719F	1	Yes
7	Washer	Stainless Steel 304	1	Yes
8	Pipe	Brass (Copper Alloy Nos. 27000)	1	Yes
9	Stem	Brass Rod C46400	1	Yes
10	Spring	Stainless Steel 304	1	Yes
11	O-Ring	Rubber (NBR) SN-719F	1	Yes
12	Spring Seat	Brass Rod C46400	1	Yes
13	Flapper	Rubber (NBR) SN-719F	1	Yes
14	Seat	Forged Brass C26000	1	Yes
15	Seat Packing	Rubber (NBR) SN-819F	1	Yes
16	Screw	Forged Brass C26000	1	Yes
17	Body	Cast Brass C46400 MOD	1	Yes
18	Pipe	Brass (Copper Alloy Nos. 27000)	1	Yes
19	Nipple	Brass Rod C46400	1	Yes
20	Packing	POM M90 Formocon FM090 CF500P	1	No
21	Floating	POM M90 Formocon FM090 CF500P	1	Yes
22	Floating Packing	Rubber (NBR) SN-719F	1	Yes
23	O-Ring	Rubber (NBR) SN-719F	1	Yes
24	Packing	POM M90 Formocon FM090 CF500P	1	Yes
25	Cap	Brass Rod C37700	1	No

