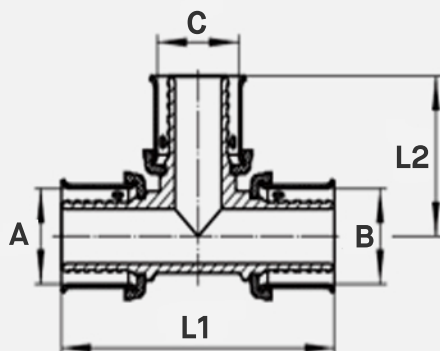


# PEX Press Tee with Attached Sleeve

(Lead Free)

## FEATURES

- **Lead Free Brass Construction** - Made from certified lead-free brass for safe and effective use in hydronics and potable water systems
- **Connection Type:** Pex Press
- **Please note:** This product is susceptible to dezincification and does not hold a high DZR rating. This product should not be used in applications where brass parts may be exposed to hard water with high sulfur or mineral content.



SKU	Size	A	B	C	L1	L2
PPRT038	3/8"	0.51"	0.51"	0.51"	1.97"	0.98"
PPRT050	1/2"	0.63"	0.63"	0.63"	2.12"	1.06"
PPRT058	5/8"	0.76"	0.76"	0.76"	2.24"	1.12"
PPRT075	3/4"	0.88"	0.88"	0.88"	2.36"	1.18"
PPRT100	1"	1.13"	1.13"	1.13"	2.95"	1.47"