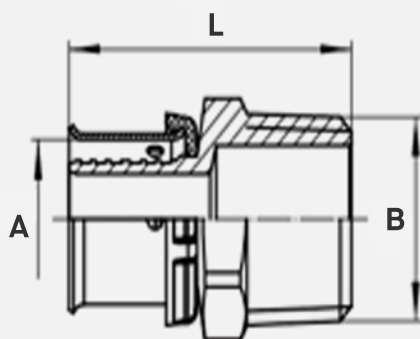


# PEX Press x Male Adapter with Attached Sleeve

(Lead Free)

## FEATURES

- **Lead Free Brass Construction** - Made from certified lead-free brass for safe and effective use in hydronics and potable water systems
- **Connection Type:** Male
- **Please note:** This product is susceptible to dezincification and does not hold a high DZR rating. This product should not be used in applications where brass parts may be exposed to hard water with high sulfur or mineral content.



SKU	Size	A	B	L
PPRM050	1/2"	0.63"	1/2" NPT	1.45"
PPRM075	3/4"	0.88"	3/4" NPT	1.49"
PPRM100	1"	1.13"	1" NPT	1.75"