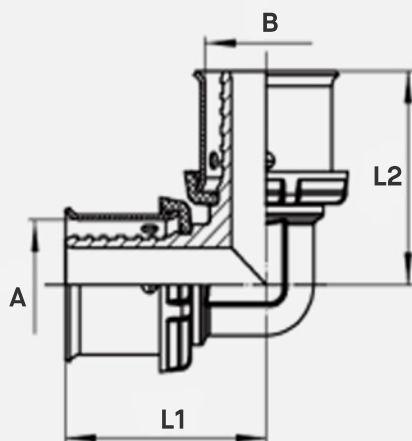


# PEX Press 90° Elbow with Attached Sleeve

(Lead Free)

## FEATURES

- **Lead Free Brass Construction** - Made from certified lead-free brass for safe and effective use in hydronics and potable water systems
- **Rated for Durability** - Able to withstand operating temperatures ranging from 0-180°F
- **Please note:** This product is susceptible to dezincification and does not hold a high DZR rating. This product should not be used in applications where brass parts may be exposed to hard water with high sulfur or mineral content.



SKU	Size	A	B	L1	L2
PPRE038	3/8"	0.51"	0.51"	0.98"	0.98"
PPRE050	1/2"	0.63"	0.63"	1.06"	1.06"
PPRE058	5/8"	0.76"	0.76"	1.12"	1.12"
PPRE075	3/4"	0.88"	0.88"	1.18"	1.18"
PPRE100	1"	1.13"	1.13"	1.47"	1.47"