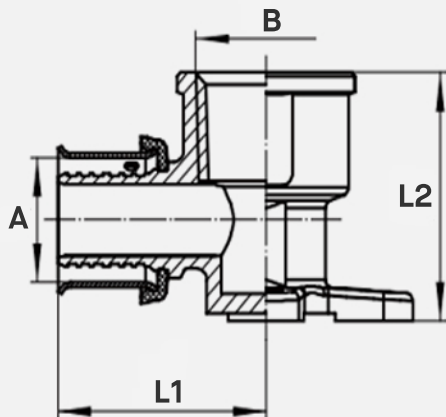


PEX Press x Female Drop Ear Elbow with Attached Sleeve

(Lead Free)

FEATURES

- **Thread Type:** Female
- **Lead Free Brass Construction** - Made from certified lead-free brass for safe and effective use in hydronics and potable water systems
- **Please note:** This product is susceptible to dezincification and does not hold a high DZR rating. This product should not be used in applications where brass parts may be exposed to hard water with high sulfur or mineral content.



SKU	Size	A	B	L1	L2
PPRDE050	1/2" x 1/2"	0.63"	1/2" NPT	1.24"	1.28"
PPRDE075-050	3/4" x 1/2"	0.88"	1/2" NPT	1.24"	1.50"
PPRDE075	3/4" x 3/4"	0.88"	3/4" NPT	1.34"	1.59"