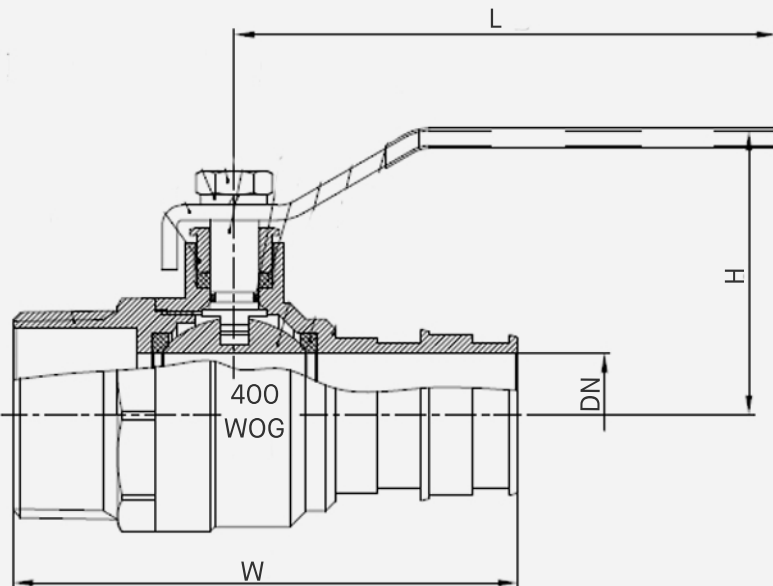


1" Expansion PEX x 1" Male NPT Brass Ball Valve

Lead Free

FEATURES

- Lead Free Brass – Brass alloy C465000 makes the ball valve resistant to dezincification corrosion and safe to use in plumbing and heating systems
- Compatible with Expansion PEX and the ProPEX expander tool and



SKU	DN	W	H	L
PPMBV100	0.81"	3.60"	2.09"	4.29"