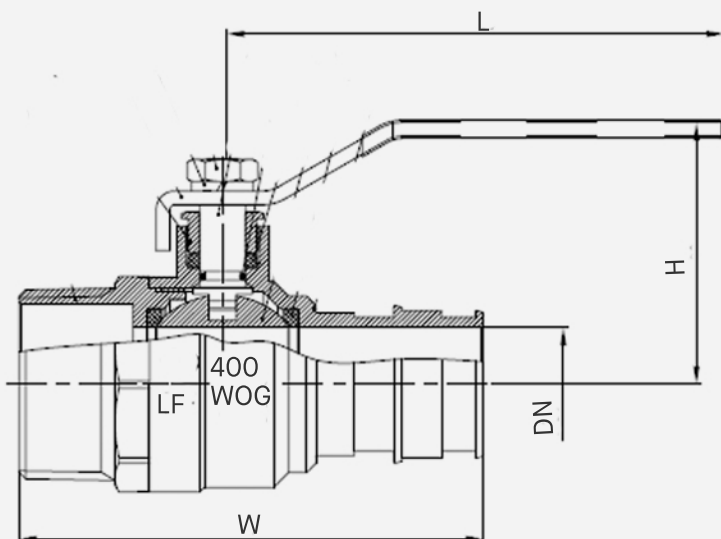


# Expansion PEX Male NPT Brass Ball Valve

Lead Free

## FEATURES

- **Lead Free** – Made from lead free C46500 brass alloy for safe and effective use in plumbing and heating applications
- **Body Pattern** – Straight
- **Compatible with Expansion PEX and ProPEX Expander Tool**



Size	DN	W	H	L
1/2"	.39"	2.11"	1.68"	3.46"
3/4"	.61"	2.81"	1.81"	3.46"