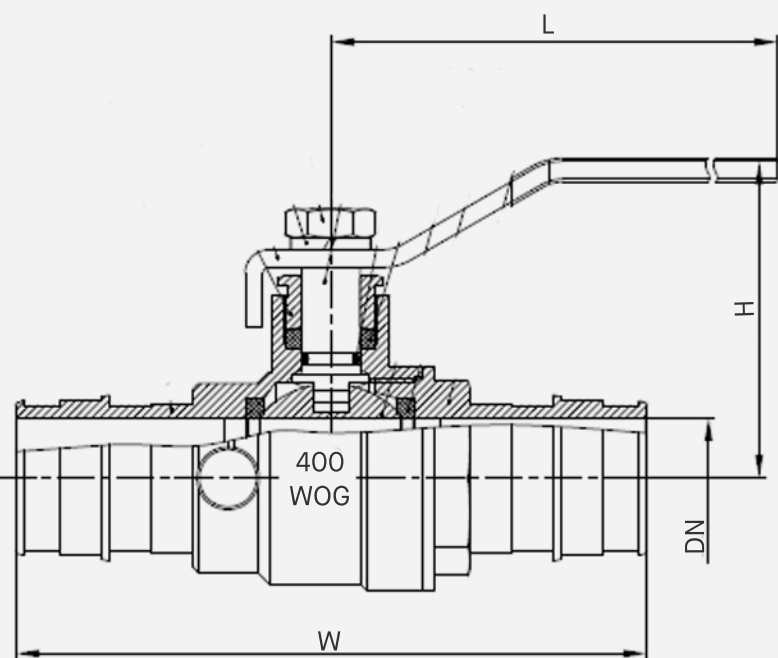


1/2" Expansion PEX Ball Valve w/ Drain

Lead Free

FEATURES

- Lead Free – Brass alloy C465000 makes the ball valve resistant to dezincification corrosion and safe to use in plumbing and drinking water systems
- Connection Type - Expansion PEX x Expansion PEX



SKU	DN	W	H	L
PPBVD050	0.39"	2.89"	1.68"	3.46"