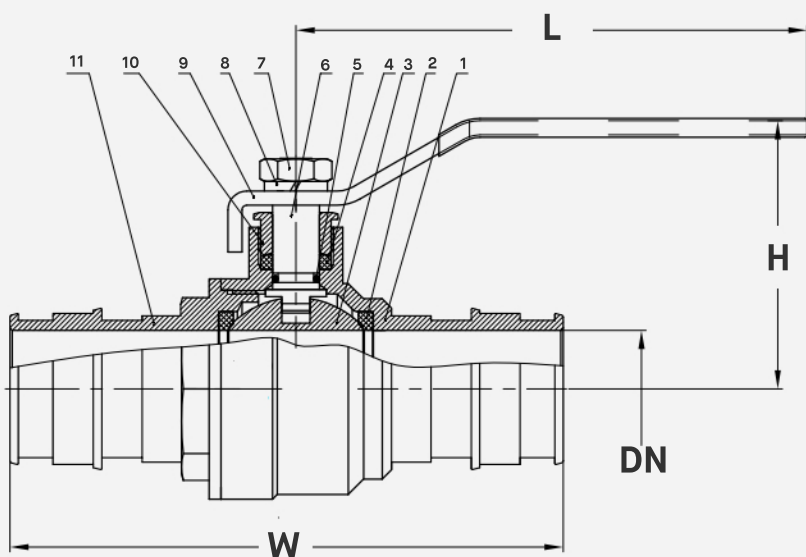


# Expansion PEX Full Port Brass Ball Valve (Lead Free)

## FEATURES

- **Lead Free** – Made from lead free C46500 brass alloy for safe and effective use in commercial and residential jobs.
- **ProPEX Expander Tool Compatible**



| SKU     | Size   | DN    | W      | H     | L     |
|---------|--------|-------|--------|-------|-------|
| PPBV038 | 3/8"   | 0.28" | 2.36"  | 1.64" | 3.46" |
| PPBV050 | 1/2"   | 0.39" | 2.58"  | 1.68" | 3.46" |
| PPBV075 | 3/4"   | 0.61" | 3.31"  | 1.81" | 3.46" |
| PPBV100 | 1"     | 0.81" | 3.98"  | 2.09" | 4.29" |
| PPBV125 | 1-1/4" | 0.98" | 4.65"  | 2.25" | 4.29" |
| PPBV150 | 1-1/2" | 1.10" | 5.51"  | 2.45" | 5.63" |
| PPBV200 | 2"     | 1.57" | 6.91"  | 2.74" | 5.63" |
| PPBV250 | 2-1/2" | 2.01" | 8.80"  | 3.04" | 6.10" |
| PPBV300 | 3"     | 2.44" | 10.75" | 4.25" | 7.76" |

| Number | Part        | Material                                    |
|--------|-------------|---|
| 1      | Body        | Lead Free Brass                             |
| 2      | Seat        | PTFE  |
| 3      | Ball        | Stainless Steel                             |
| 4      | Packing     | PTFE  |
| 5      | O-Ring      | NBR   |
| 6      | Stem        | Brass (1/2"-2-1/2")<br>Stainless Steel (3") |
| 7      | Handle Nut  | Plated Steel                                |
| 8      | Lock Washer | Plated Steel                                |
| 9      | Handle      | Plated Steel                                |
| 10     | Packing Nut | Brass                                       |
| 11     | Cap         | Lead Free Brass                             |