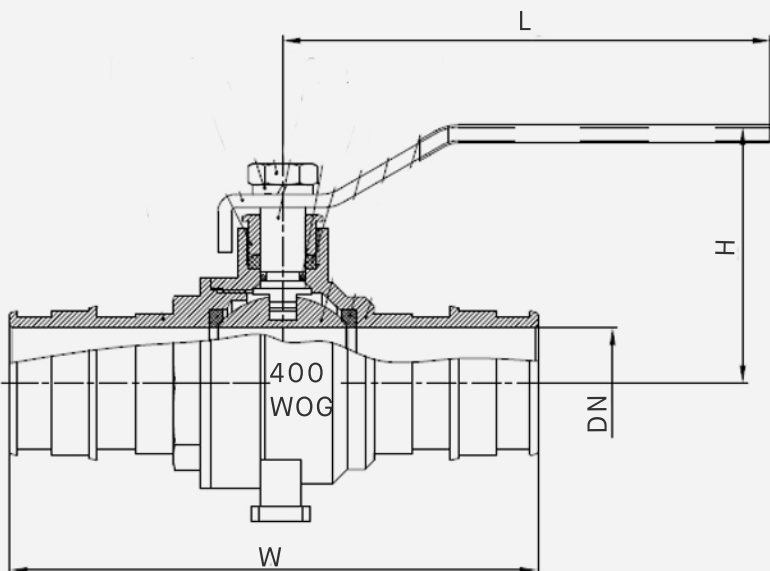


1/2" Expansion PEX Drop Ear Ball Valve

Lead Free

FEATURES

- Lead Free Brass – Brass alloy C465000 makes the ball valve resistant to dezincification corrosion and safe to use in plumbing and drinking water systems
- Connection Type - Expansion PEX x Expansion PEX



SKU	L	H	W	DN
PPBV050-DE	3.46"	1.68"	2.57"	.39"