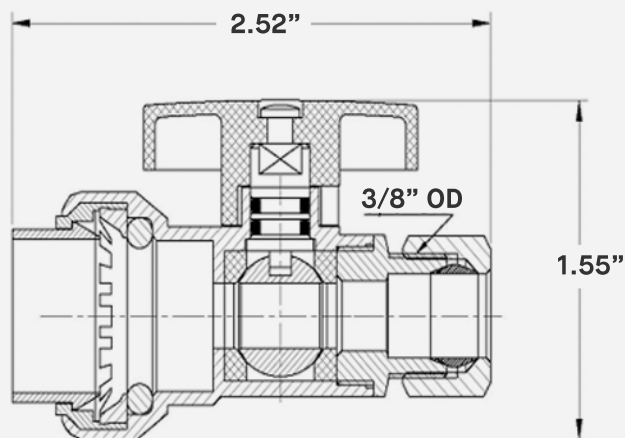


1/2" Push Fit x 3/8" Compression Straight Stop

(Lead Free)

FEATURES

- Available for COPPER, CPVC or PEX Pipe
- Forged and Chrome Plated Body – Offers excellent durability and resistance to corrosion.
- Complies with ASME A112.18.1, CSA B125.1, ASSE1061, NSF/ANSI 61 – Satisfies high standards for quality, safety, and performance.
- Certified to cUPC, Lead Free and NSF/ANSI 61 approved – Guarantees the product's compliance with strict regulations for safe use in potable water systems.



SKU	Connection	Inlet	Outlet	Straight/Angle	Multi/Qtr. Turn
PFSS050-038	PUSH x Compression	1/2" Push	3/8" OD	Straight	Quarter