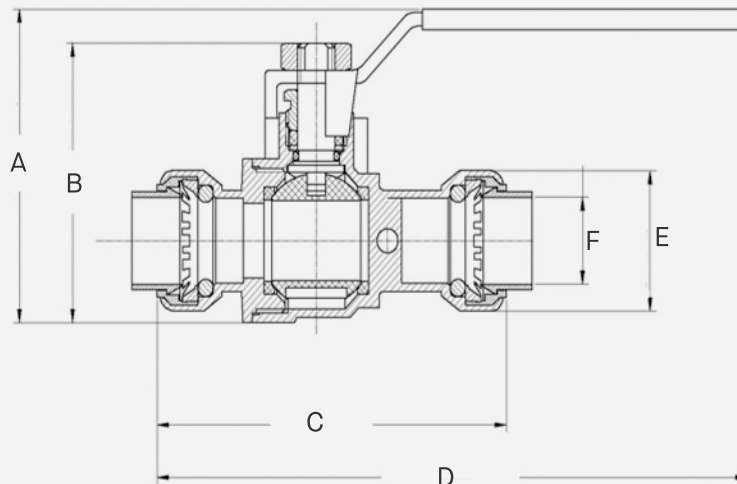


Push-Fit Ball Valve with Drain

Lead Free

FEATURES

- Full Port, Brass Ball Valve with push-fit end connections
- Forged brass body
- Blowout-proof stem and packing gland stem seal
- Max pressure: 200PSI
- Max temperature: 200 F (water)
- Service: Water
- Comply with ASME A112.18.1, CSA B125.1, ASSE1061, and NSF/ANSI 61



SKU	A	B	C	D	E	F
PFBVD050	1.94"	1.76"	2.91"	4.46"	1.02"	0.64"