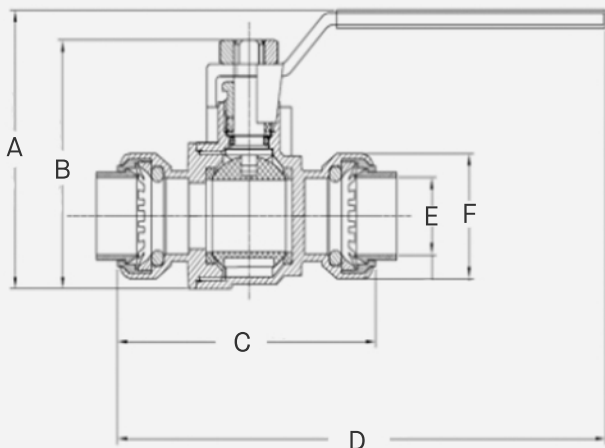


Push Fit Ball Valve

Lead Free

FEATURES

- Full Port, Brass Ball Valve with push-fit end connections
- Forged brass body
- Blowout-proof stem and packing gland stem seal
- Max pressure: 200 PSI
- Max temperature: 200 F
- Service: Water
- Certification: (Lead: CUPC (Including - NSF 61), (LF: CUPC, NSF/ANSI 61 - Annex G)



SKU	SIZE	A	B	C	D	E	F
PFBV075	3/4" PUSH x PUSH	2.34"	2.05"	3.25"	4.72"	0.90"	1.33"
PFBV100	1" PUSH x PUSH	2.83"	2.72"	3.67"	5.75"	1.14"	1.65"