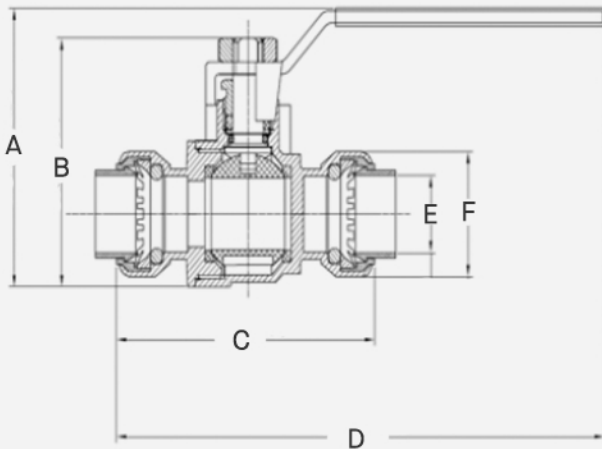


# Push Fit Ball Valve

Lead Free

## FEATURES

- Full Port, Brass Ball Valve with push-fit end connections
- Forged brass body
- Blowout-proof stem and packing gland stem seal
- Max pressure: 200 PSI
- Max temperature: 200 F
- Service: Water
- Certification: (Lead: CUPC (Including - NSF 61),  
(LF: CUPC, NSF/ANSI 61 - Annex G, Conforms to NSF14 (section) 5.8)



SKU	SIZE	A	B	C	D	E	F
PFBV050	1/2" PUSH x PUSH	1.94"	1.76"	2.91"	4.46"	0.64"	1.02"