

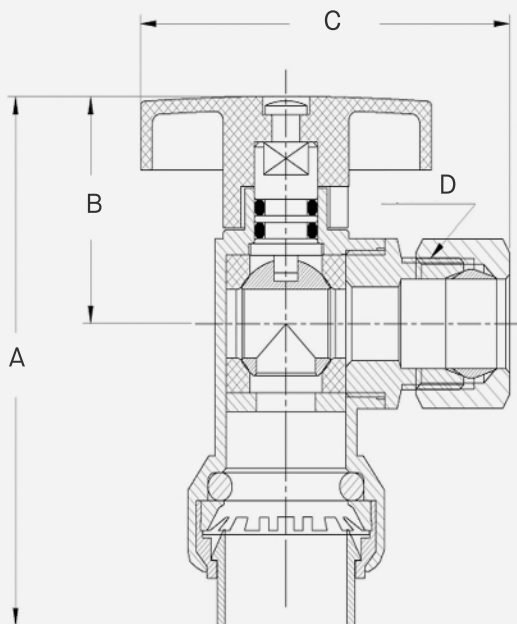
Push Fit x Comp Angle Stop

Lead Free



FEATURES

- Material: Brass C46500
- Chrome Plated Body
- Quarter Turn
- Comply with ASME A112.18.1, CSA B125.1, ASSE1061, and NSF/ANSI 61



SKU	Connection	Inlet	Outlet	A	B	C	D
PFAS050-038	Push x Compression	1/2" Push	3/8" OD	2.40"	1.04"	1.85"	3/8" OD