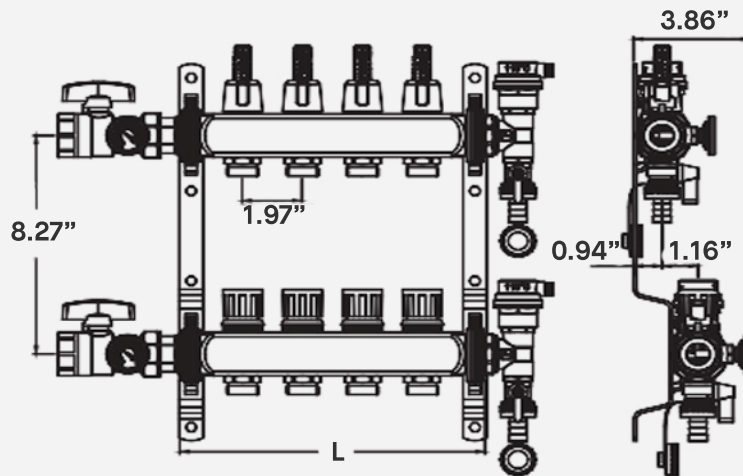
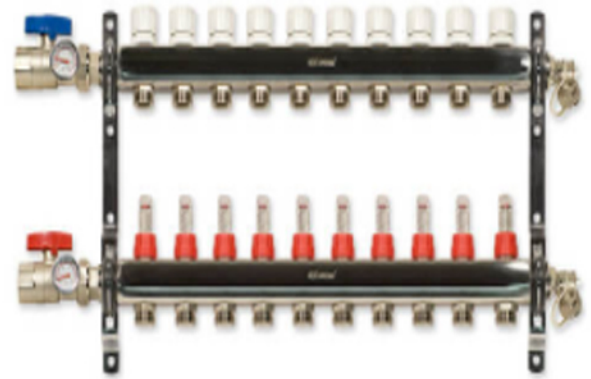


Stainless Steel Radiant Heat Manifold Package

1/2" PEX-AL-PEX

Materials	Manifold Body	Stainless Steel
	Port Connection	Brass
	Seal	EPDM
Working Performance	Permissible Maximum Continuous Working Temperature: 180°F at 100 PSI	
Working Media	Media 1	Water
	Media 2	Water/Ethylene Glycol 50/50%
	Media 3	Water/Propylene Glycol 50/50%
Flow	Indication Scale	0.13-1.32 G/min
	Indication Tolerance	+/- 10%
	Kvs	1.10
Connection	Supply/Return	1" FPT
	Circuit Connection	3/4" MPT
	Flowmeter Connection	1/2" MPT



SKU	Connections	Loops	L
PAPKHM-2	1" x 3/4"	2	6.10"
PAPKHM-3	1" x 3/4"	3	8.07"
PAPKHM-4	1" x 3/4"	4	10.04"
PAPKHM-5	1" x 3/4"	5	12.01"
PAPKHM-6	1" x 3/4"	6	13.98"
PAPKHM-7	1" x 3/4"	7	15.94"
PAPKHM-8	1" x 3/4"	8	17.91"
PAPKHM-10	1" x 3/4"	10	21.85"
PAPKHM-12	1" x 3/4"	12	25.79"