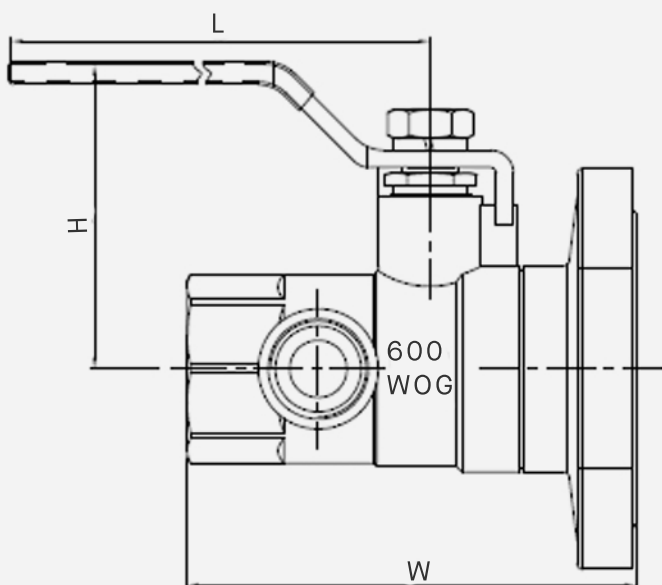


# Threaded Isolation Flange Circulator Pump Install Kit

With Hose Drain

## FEATURES

- Threaded Connection – Offers a strong, easy to install bond for a leak-free system.
- This Installation Kit Meets ISO 9001 Standards



SKU	L	W	H
IFTH075KIT	3.46"	3.05"	2.11"
IFTH100KIT	4.29"	3.26"	2.24"