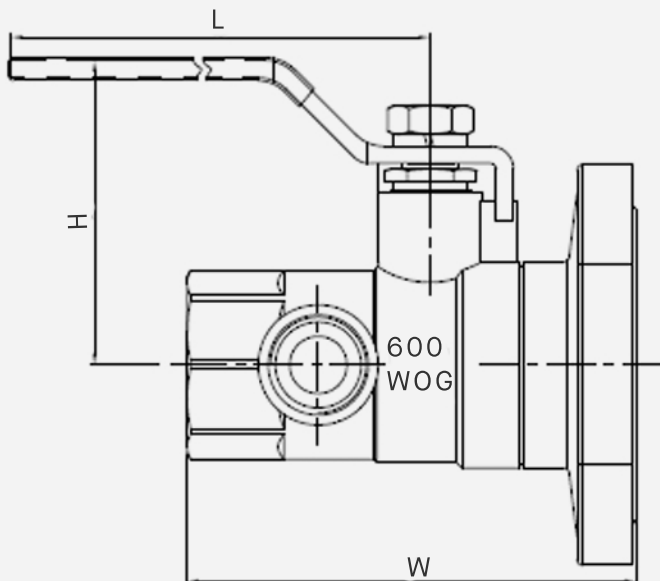


# Threaded Isolation Flange

With Hose Drain

### FEATURES

- Sweat Connection – Offers a strong, permanent bond for a leak-free system.
- Brass Construction – Provides excellent durability and resistance to corrosion.
- Includes Bleeder – For quick and safe removal of air pockets from the system
- Meets ISO 9001 Standards



SKU	L	W	H
IFTH075	3.46"	3.05"	2.11"
IFTH100	4.29"	3.26"	2.24"