

SKU: IFT150

# 1-1/2" Threaded Isolator Flange (IPS)

## Applications:

Ideal for HVAC pump connections in hydronic heating and chilled water systems, this isolator flange simplifies circulator pump installation and service. It is well suited for boiler piping and cooling tower systems where reliable shutoff and service isolation are required, as well as for mechanical equipment isolation to allow maintenance without draining the entire system.

## Specifications:

- **Pressure Rating:** 600 WOG
- **Design:** Blowout-proof stem with adjustable packing gland
- **Inlet:** Tapered flange inlet to minimize turbulence
- **Port Type:** Full Port
- **Thread Standard:** ANSI B1.20.1

## Materials:

- **Body:** C46500 LF Brass
- **Ball:** Brass, chrome plated
- **Stem Seal:** PTFE
- **Lever Handle:** Steel, chrome plated
- **Flange Bolts & Nuts:** Steel, zinc plated

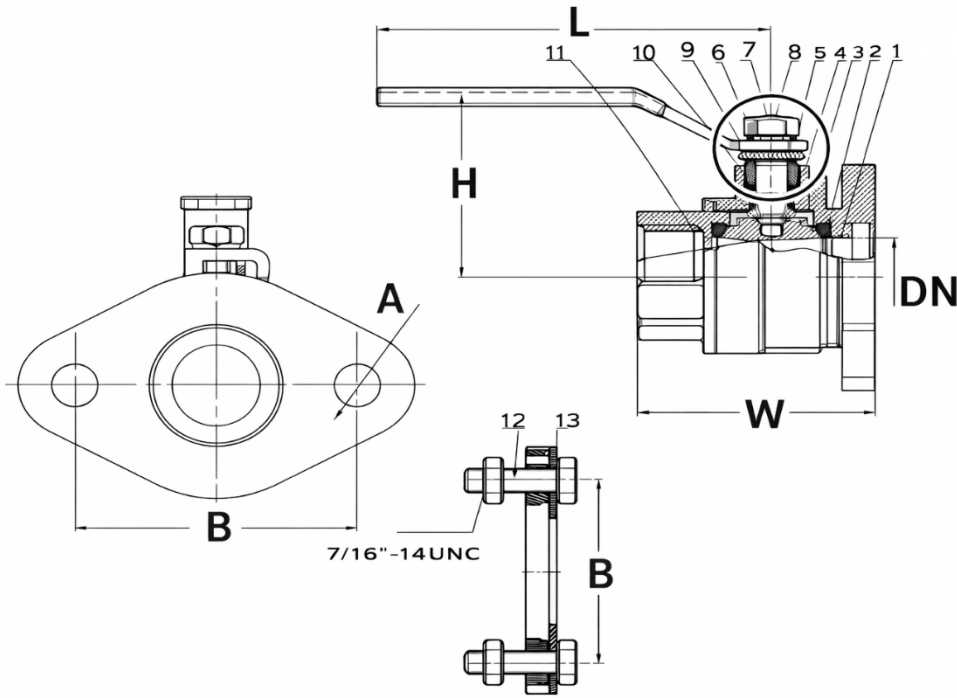
## Certifications/Listings/Approvals

- ANSI/ASME B 1.20.1
- ASME A112.4.14-2024
- MSS SP-110
- ANSI Z1157-2014
- FM Approved
- NSF -61
- NSF-372
- cUPC



Certified to  
NSF/ANSI 61  
& 372

Product Offerings and Dimensions



Number	Part	Material
1	Body	Brass
2	Seat	PTFE
3	Ball	Brass/Chrome Plated
4	Packing	PTFE
5	O-Ring	NBR
6	Stem	Brass
7	Handle Nut	Plated Steel
8	Lock Washer	Plated Steel
9	Handle	Plated Steel
10	Packing Nut	Brass
11	Cap	Brass
12	Rubber Washer	EPDM

SKU	SIZE	DN / IN	W / IN	H / IN	L / IN	A / IN	B / IN
IFT050	1/2"	0.59	1.97	1.81	3.46	0.50	3.12
IFT075	3/4"	0.75	2.24	2.09	4.29	0.50	3.12
IFT100	1"	0.98	2.60	2.25	4.29	0.50	3.12
IFT125	1-1/4"	1.26	3.03	2.53	5.63	0.50	3.12
IFT150	1-1/2"	1.57	3.44	2.74	5.63	0.50	3.50
IFT200	2"	1.94	4.86	3.04	5.63	0.50	3.50