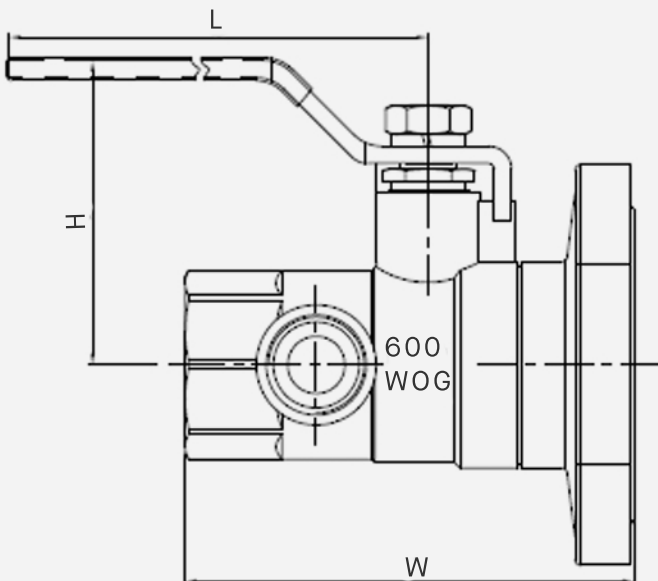


Sweat Isolation Flange for High Velocity Pumps

With Hose Drain and Rotating Flange

FEATURES

- Detachable Rotating Flange – Simplifies installation and maintenance by allowing easy access to system components without the need for complete disassembly.
- Sweat Connection – Offers a strong, permanent bond for a leak-free system.
- Brass Construction – Provides excellent durability and resistance to corrosion.
- Includes Bleeder – For quick and safe removal of air pockets from the system
- Meets ISO 9001 Standards



SKU	L	W	H
IFSHR100HV	4.29"	3.78"	2.24"