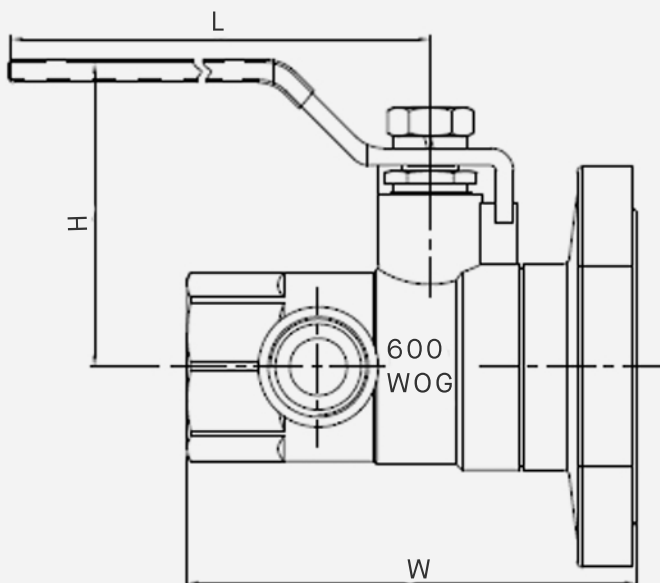


1-1/4" Sweat Isolation Flange

With Hose Drain

FEATURES

- Sweat Connection – Offers a strong, permanent bond for a leak-free system.
- Brass Construction – Provides excellent durability and resistance to corrosion.
- Includes Bleeder – For quick and safe removal of air pockets from the system
- Meets ISO 9001 Standards



SKU	L	W	H
IFSH125	4.29"	4.41"	2.48"