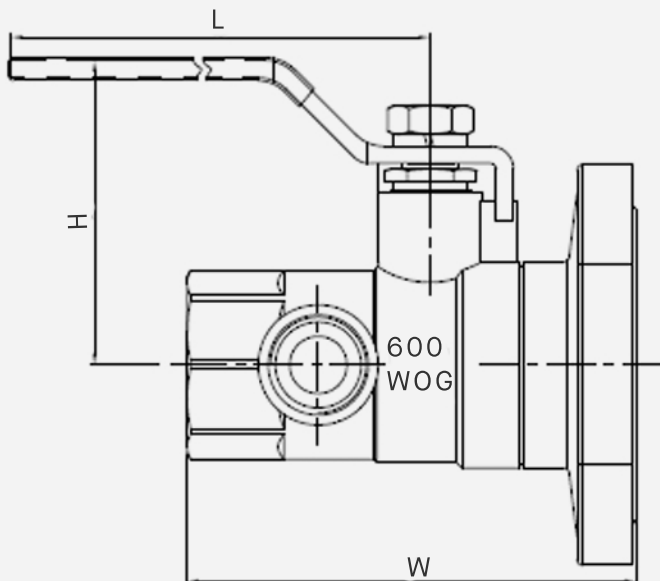


Sweat Isolation Flange Circulator Pump Install Kit

With Hose Drain

FEATURES

- Full Port Sweat Connection – Offers a strong, permanent bond for a leak-free system.
- Meets ISO 9001 Standards



SKU	L	W	H
IFSH075KIT	3.46"	3.18"	2.11"
IFSH100KIT	4.29"	3.77"	2.24"