

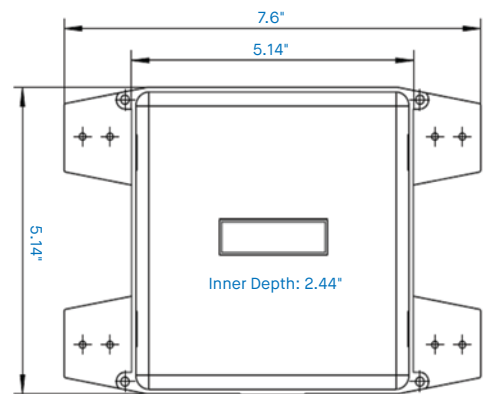
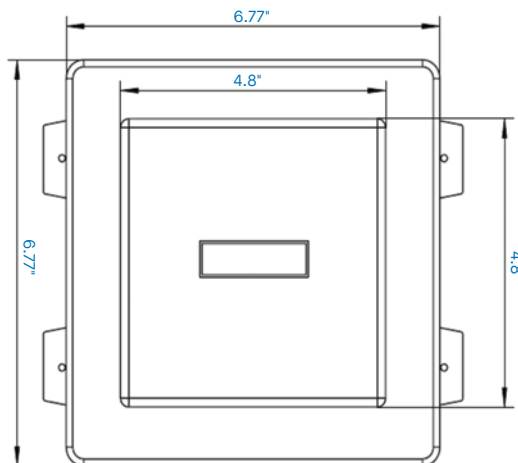


Ice Maker/Dishwasher/ Toilet Outlet Boxes




SPECIFICATION

- Compliant with ASME A112.18.1/CSA B125.1 and NSF/ANSI 61
- Box made from thick and sturdy high-impact polystyrene
- Easy installation, convenient to replace valve
- Many connection types available
- Lead free

Box Dimension



Valves

		OUTLET		INLET	
	Ice Maker Valve	1/4" Comp	1/2" MIP/SWT IB050M	1/2" F1807 Crimp Pex IB050PX	1/2" F1960 Wirsbo Pex IB050PP
	Ice Maker Valve with Hammer Arrestor	1/4" Comp		1/2" F1807 Crimp Pex IB050PX-HA	
	Dishwasher/ Toilet Valve	3/8" Comp		1/2" F1807 Crimp Pex DTB050PX	1/2" F1960 Wirsbo Pex DTB050PP
			