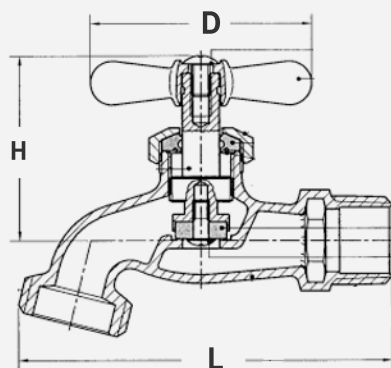


# 3/4" Male x Hose Bibb w/ Metal Handle

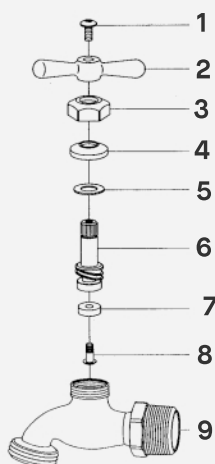
(Lead Free)

## FEATURES

- **Brass Construction** – C46400 brass alloy includes tin for added corrosion resistance and excellent strength.
- **Fully-Compliant** - Meets ANSI B1.20.1-1983 and B1.20.7-1991 standards for threaded piping.
- **Rated for Durability** - Able to withstand a maximum operating temperature of 160°F at 125 PSI.



SKU	Size	D	H	L
HBM075MH	3/4" MIP x 3/4" MHT	2.13"	1.69"	3.44"



Number	Part	Material	Water Contact
1	Bolt	Hot Rolled SAE 1010R	No
2	Handle	Zinc Z30A	No
3	Bonnet	Brass ROD C37700	No
4	Packing	Rubber (NBR) SN-719F	Yes
5	Washer	Stainless Steel 304	Yes
6	Stem	Brass ROD 304	Yes
7	Seat Packing	Rubber (NBR) SN-819F	Yes
8	Screw	Forged Brass C26000	Yes
9	Body	Cast Brass C46400	Yes