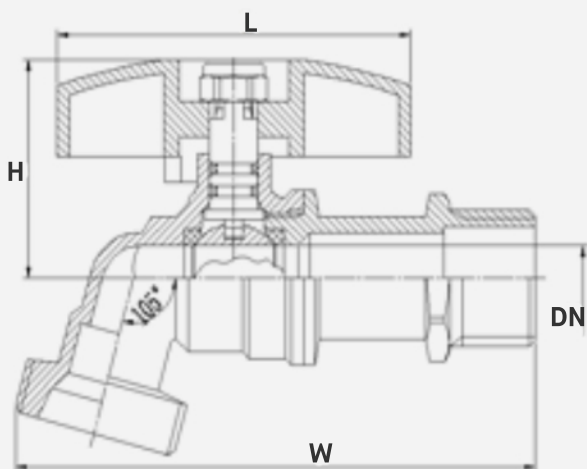


Lead-Free Brass Hose Bibb

MNPT x Hose Bibb

FEATURES

- Forged Brass Body – enhances the hose bibb’s durability and longevity.
- High Pressure Tolerance - Able to withstand a maximum working pressure of 125psi.
- Meets ANSI B1.20.7 Standards – for hose coupling screw threads
- Completely lead free – For safe and effective use in residential and commercial potable water systems.



Part No.	Size	DN	L	H
HBM050	1/2 "	0.394	2.28	1.37
HBM075	3/4 "	0.591	2.28	1.51