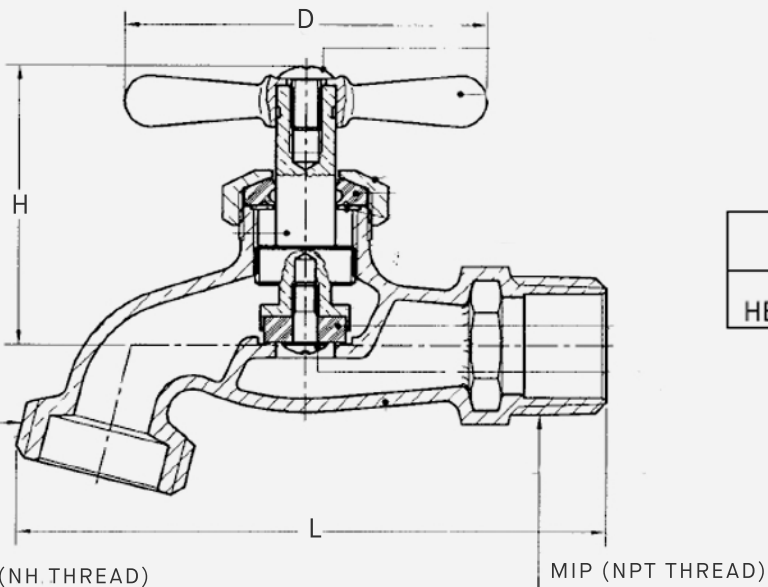


1/2" Male x Hose Bibb w/ Metal Handle

Lead Free

FEATURES

- **Lead Free Cast Brass Construction** - Made from certified lead-free brass for safe and effective use in hydronics and potable water systems.
- Hose Bibb-Male
- 1/2" MIP X 1/2" Solder Inlet



SKU	D	H	L
HBM050MH	2.20"	1.69"	3.42"