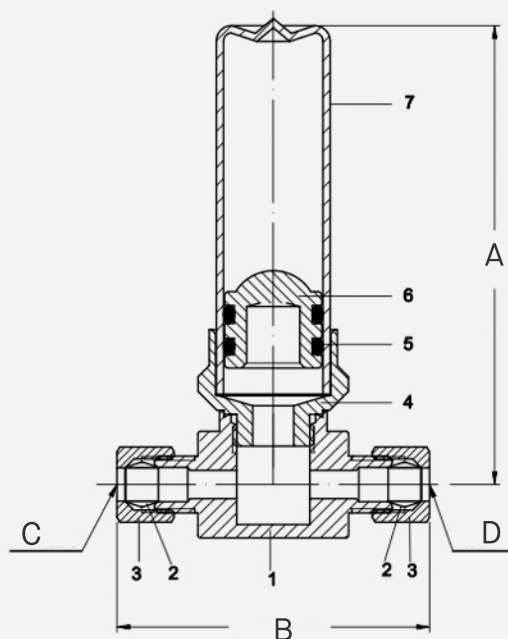


Water Hammer Arrestor

1/4" O.D. Compression Tee for Ice Maker Tube (Lead Free)

FEATURES

- **Extends System Life** - Absorbs the energy from sudden changes in flow velocity to reduce stress caused by the water hammer.
- **“AA” Size** – Ideal for residential applications.
- **High Pressure Tolerance** - Able to withstand a maximum working pressure of 350 psi.
- **High Heat Resistance** – Able to withstand a maximum temperature of 250°F.
- **Fully-Compliant** – UPC listed and certified to ASSE 1010-2004 performance standards.



SKU	A	B	C	D
HA2-025	3.52"	2.40" REF.	1/4" OD COMP.	1/4" OD COMP.