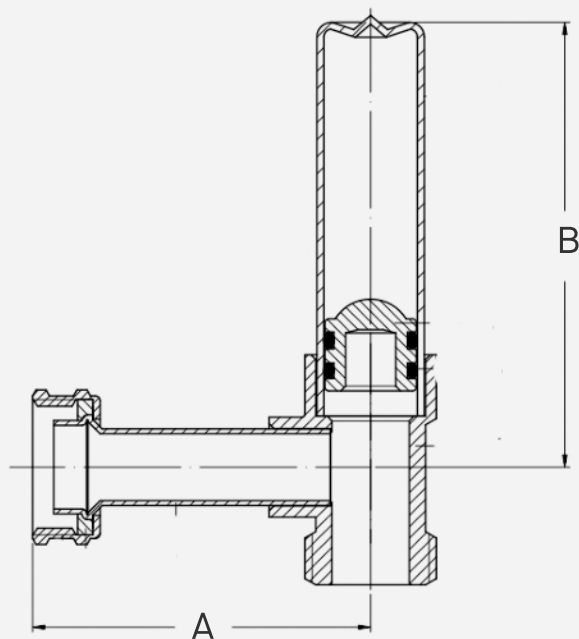


Water Hammer Arrestor

3/4" F Swivel Hose Thread x 3/4" M Hose Thread Tee

FEATURES

- **Extends System Life** - Absorbs the energy from sudden changes in flow velocity to reduce stress caused by the water hammer.
- **"AA" Size** - Ideal for residential applications..
- **Pressure Tolerance** - Able to withstand a maximum working pressure of 350 psi.
- **Heat Resistance** - Able to withstand a maximum temperature of 300°F.
- **Fully-Compliant** - UPC listed and certified to ASSE 1010-2004 performance standards.



SKU	A	B
HA1-075	2.756"	3.624"