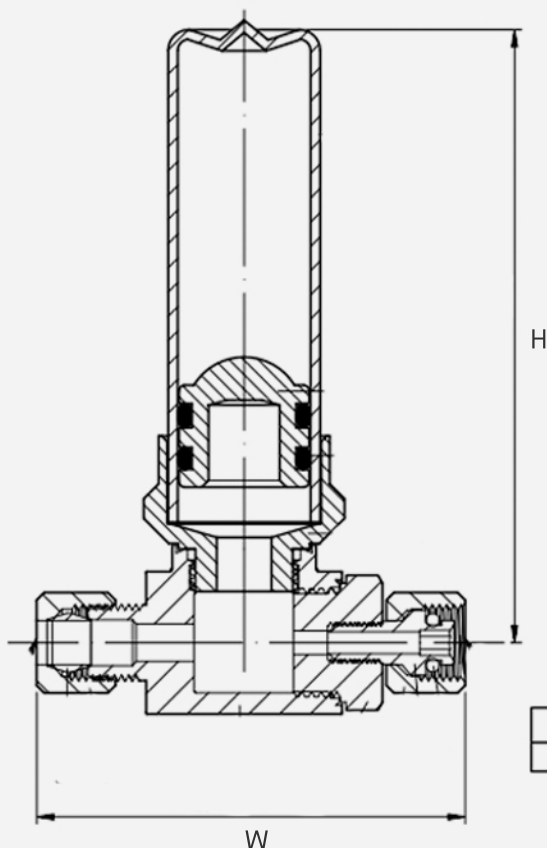


# Water Hammer Arrestor

1/4" O.D. Comp 1/4" O.D. Female Comp. Tee

## FEATURES

- Prevents Leaks – Keeps systems running smoothly by absorbing the energy of sudden changes in velocity and flow. Designed to absorb the energy of sudden velocity changes in flow.
- High Pressure Tolerance - Able to withstand a maximum working pressure of 250 psi
- High Heat Resistance – Able to withstand a maximum temperature of 300°F
- Fully-Compliant – UPC listed and certified to ASSE 1010-2004 performance standards



| Part No. | Size | H    | W    |
|----------|------|------|------|
| HA1-025  | 1/4" | 3.52 | 2.46 |