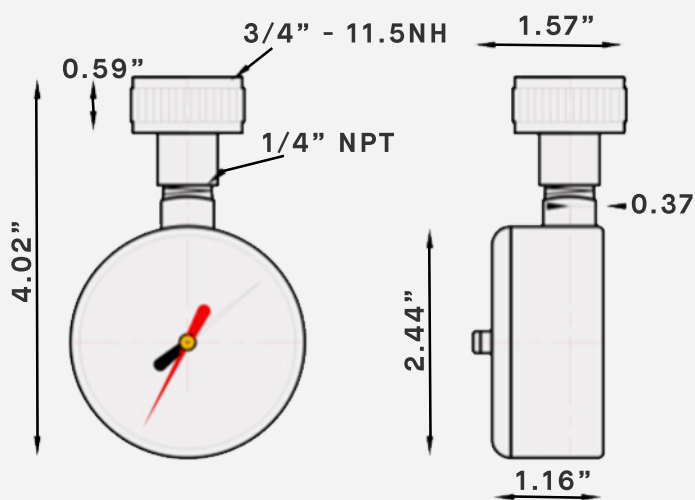


Water Test Gauge, 3/4" Hose Thread, Top Mount

FEATURES

- Residential & Commercial water pressure measuring, peak pressure recording.
- 3/4" Hose thread swivel adaptor (brass)
- 2-1/2" Black steel case
- Brass wetted parts
- Red adjustable pointer
- Single scale (PSI)



SKU	Scale
GW25-160-TM	0 - 160 PSI
GW25-200-TM	0 - 200 PSI
GW25-300-TM	0 - 300 PSI

Dial	2.5" White aluminum with black markings
Case	Black painted steel
Lens	Acrylic
Ring	Black painted steel
Gauge connection	1/4" NPT, Bottom
Swivel adaptor connection	3/4" Hose thread
Bourdon tube	Copper alloy
Pointer	Black aluminum and red aluminum pointer
Over-Pressure Limit	25% of full scale value
Working Pressure	Maximum 75% of full scale value
Operation Temperature	Ambient: -40°C ~ 60°C, (-40°F ~ 140°F)
Accuracy	±3-2-3%
Enclosure Rating	IP52