

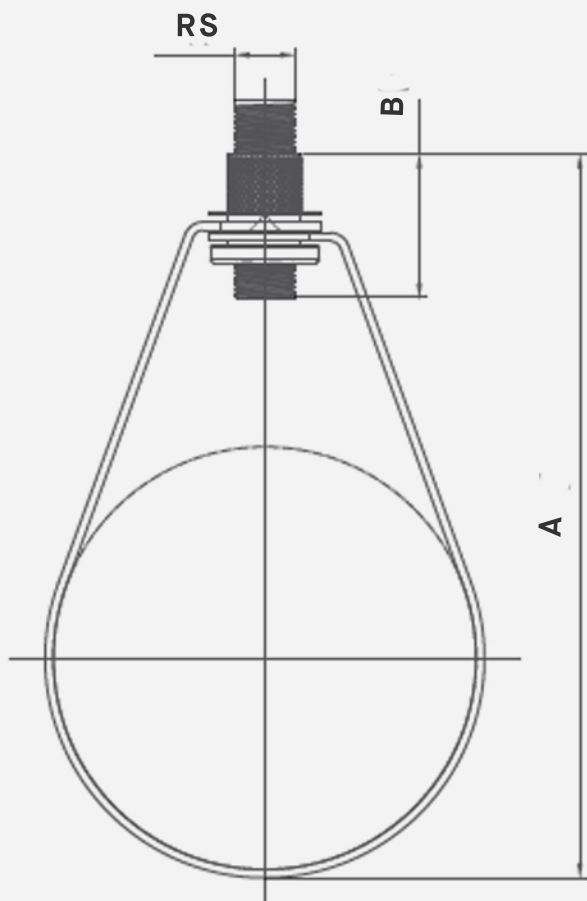
Em-Lok Adjustable Swivel Ring, NFPA

Pre-Galvanized

FEATURES

- **Adjustable** - Allows for precise positioning and easy adjustments.
- **Carbon Steel Construction** – provides excellent strength and durability.
- **UL Listed, FM Approved** – This product has undergone rigorous testing and inspections to ensure that it's safe and reliable.

Complies with Federal specification WW-H-171E and American Manufacturers Standardization Society MSS SP-69 & SP58



SKU	RS	A	B
GVSV500	1/2"	9"	1-5/16"
GVSV600	1/2"	10.5"	1-9/16"
GVSV800	1/2"	12.5"	1-5/8"