

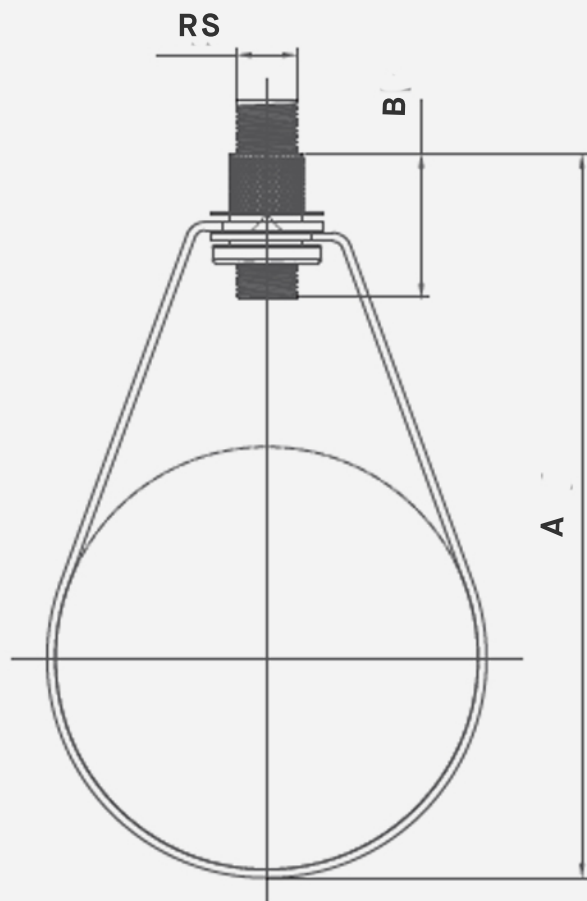
Em-Lok Adjustable Swivel Ring, NFPA

Pre-Galvanized

FEATURES

- **Adjustable** - Allows for precise positioning and easy adjustments.
- **Carbon Steel Construction** – provides excellent strength and durability.
- **UL Listed, FM Approved** – This product has undergone rigorous testing and inspections to ensure that it's safe and reliable.

Complies with Federal specification WW-H-171E and American Manufacturers Standardization Society MSS SP-69 & SP58



SKU	Size	A	B	Rod Size (RS)	Max Load (lbs.)
GVSV250	2-1/2"	5-1/2"	1-1/4"	3/8"	1000
GVSV300	3"	6-3/8"	1-1/4"	3/8"	1000
GVSV400	4"	7-2/3"	1-5/16"	3/8"	1100
GVSV500	5"	9"	1-5/16"	1/2"	1100
GVSV600	6"	10-1/2"	1-9/16"	1/2"	1250
GVSV800	8"	12-1/2"	1-5/8"	1/2"	1250