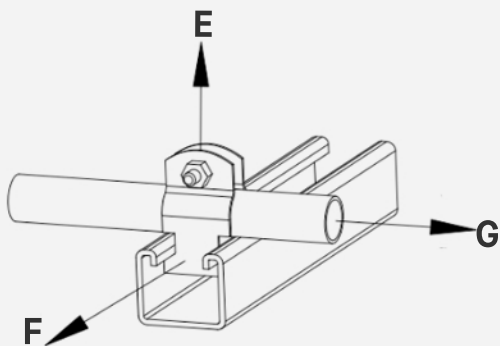
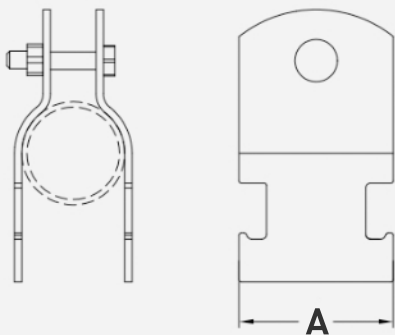


Electro-Galvanized Multi-Strut Pipe Clamp

FEATURES

- **Carbon Steel Construction** – makes the pipe-clamp exceptionally durable.
- **Electro-Galvanized Finish** – adds excellent protection against rust and corrosion.



SKU	Size	A	E	F	G
			Max Rec. Load (lbs)	Max Rec. Load (lbs)	Max Rec. Load (lbs)
GVSC038	3/8"	1.25"	400	50	50
GVSC050	1/2"	1.25"	400	50	50
GVSC075	3/4"	1.25"	600	75	75
GVSC100	1"	1.25"	600	75	75
GVSC125	1-1/4"	1.25"	600	75	75
GVSC150	1-1/2"	1.25"	800	125	125
GVSC200	2"	1.25"	800	125	125
GVSC250	2-1/2"	1.25"	800	125	125
GVSC300	3"	1.25"	800	125	125
GVSC350	3-1/2"	1.25"	1,000	200	150
GVSC400	4"	1.25"	1,000	200	150
GVSC500	5"	1.25"	1,000	200	150
GVSC600	6"	1.25"	1,000	200	150
GVSC800	8"	1.25"	1,000	200	200