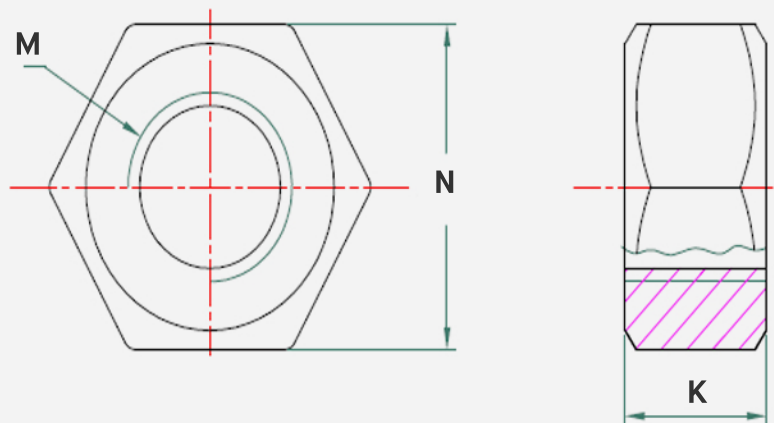


3/8" Heavy Hex Nut

(Electro-Galvanized)

FEATURES

- **Carbon Steel Construction** – makes the hex nut exceptionally durable.
- **Electro-Galvanized Finish** – adds excellent protection against rust and corrosion.



SKU	Size	M	N	K
GVHX038H	3/8"	3/8" - 16UNC	0.67"	0.35"