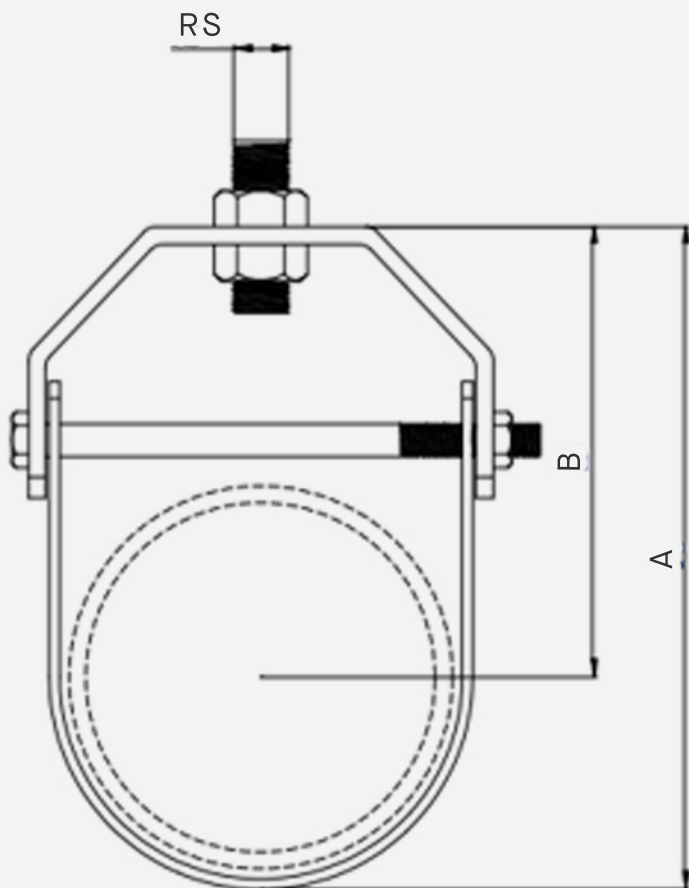


Electro-Galvanized Clevis Hanger

Carbon Steel

FEATURES

- **Carbon Steel Construction** – For exceptional strength and durability.
- **Electro-Galvanized** – Provides a protective coating that significantly reduces the risk of rust – even in humid conditions.



SKU	A	B	Rod Size	Max Rec. Load (LBS)
GVCH050	2"	1.48"	3/8"	610
GVCH075	2.30"	1.66"	3/8"	610
GVCH100	2.75"	2"	3/8"	610
GVCH125	3.30"	2.36"	3/8"	610
GVCH150	3.94"	2.87"	3/8"	610
GVCH200	4.5"	3.20"	3/8"	610
GVCH250	5.22"	3.64"	1/2"	1130
GVCH300	6"	4.11"	1/2"	1130
GVCH400	7.5"	5.13"	5/8"	1430
GVCH500	9.36"	6.35"	5/8"	1430
GVCH600	10.72"	7.13"	3/4"	1940
GVCH800	13.12"	8.52"	3/4"	2000
GVCH1000	15.76"	10.02"	7/8"	3600