

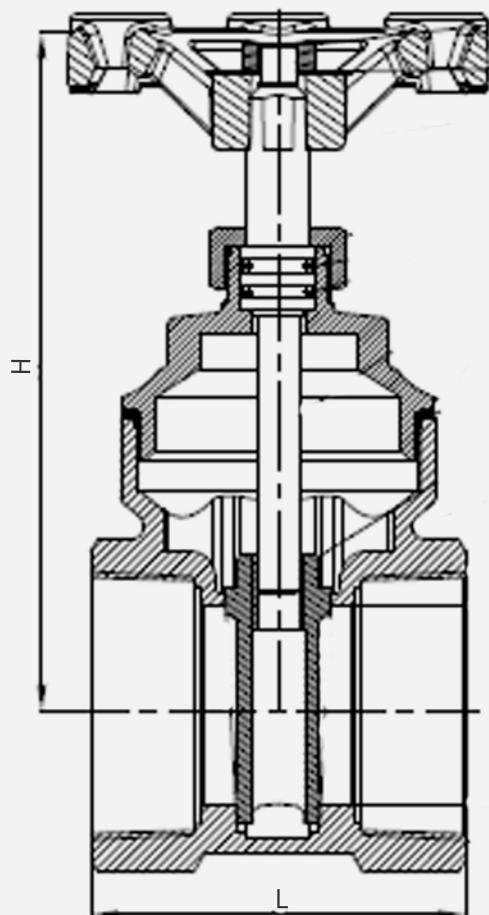
3" Threaded Gate Valve

Lead Free

FEATURES

- Brass Full Port Construction – C46400 brass alloy includes tin for added corrosion resistance and excellent strength

Lead Free – Meets NSF/ANSI 61, and NSF372/ANSI 372 standards for safe use in commercial and residential lead-free drinking water systems



| SKU | H | L | WOG |
|---------|-------|-------|-----|
| GTVT300 | 7.48" | 3.31" | 200 |