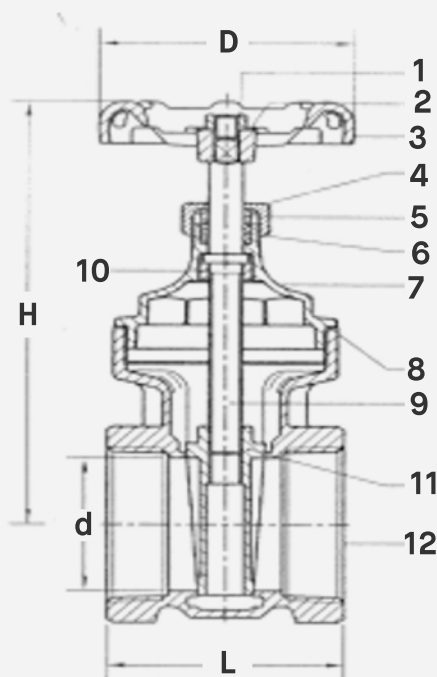


Threaded Gate Valve

(Lead Free)

FEATURES

- **Brass Full Port Construction** – C46400 brass alloy includes tin for added corrosion resistance and excellent strength.
- **Lead Free** – Meets NSF/ANSI 61, and NSF372/ANSI 372 standards for safe use in commercial and residential lead-free drinking water systems.
- **High Temperature Tolerance** - Able to withstand a maximum operating temperature of 180°F and carries a steam rating of 320°F.
- **High Pressure Tolerance** – Rated to withstand a pressure of 200 WOG (non-shock).



SKU	Size	Dimension				Flow Rate GPM	Pressure Test PSI	Pressure Drop PSI	Cv
		d	D	H	L				
GTVT025	1/4" FIP	0.43"	2.09"	2.91"	1.71"	8.85	25	5	3.95
GTVT038	3/8" FIP	0.47"	2.09"	2.91"	1.71"	16.48	25	5	7.37
GTVT050	1/2" FIP	0.53"	2.09"	2.91"	1.71"	21.81	25	5	9.75
GTVT075	3/4" FIP	0.75"	2.13"	3.31"	1.77"	42.15	25	5	18.84
GTVT100	1" FIP	0.98"	2.48"	3.90"	2.13"	71.18	25	5	31.82
GTVT125	1-1/4" FIP	1.26"	2.72"	4.61"	2.24"	109.25	25	5	48.83
GTVT150	1-1/2" FIP	1.50"	3.15"	5.08"	2.44"	167.00	25	5	74.65
GTVT200	2" FIP	1.93"	3.52"	5.98"	2.70"	193.38	25	5	86.44
GTVT250	2-1/2" FIP	2.44"	3.98"	7.87"	3.70"	337.55	25	5	106.67
GTVT300	3" FIP	2.95"	4.37"	8.82"	4.02"	502.58	25	5	158.85
GTVT400	4" FIP	3.62"	4.84"	9.88"	4.53"	548.87	25	5	173.44

Number	Part	Material	Water Contact
1	Nut	Hot Rolled SAE 1050R	N
2	Name Plate	Aluminum A1100	N
3	Handle	Cast Iron JIS ZZ2202	N
4	Packing Nut	Brass ROD C37700	N
5	Gland Ring	Brass ROD C37700	N
6	Packing	Rubber	Y
7	Bonnet	Cast Brass C46400 MOD	Y
8	Packing	ABAE	Y
9	Stem	Brass ROD C46400	Y
10	Lock Nut	Cast Brass C46400 MOD	Y
11	Disc	Cast Brass C46400 MOD	Y
12	Body	Cast Brass C46400 MOD	Y