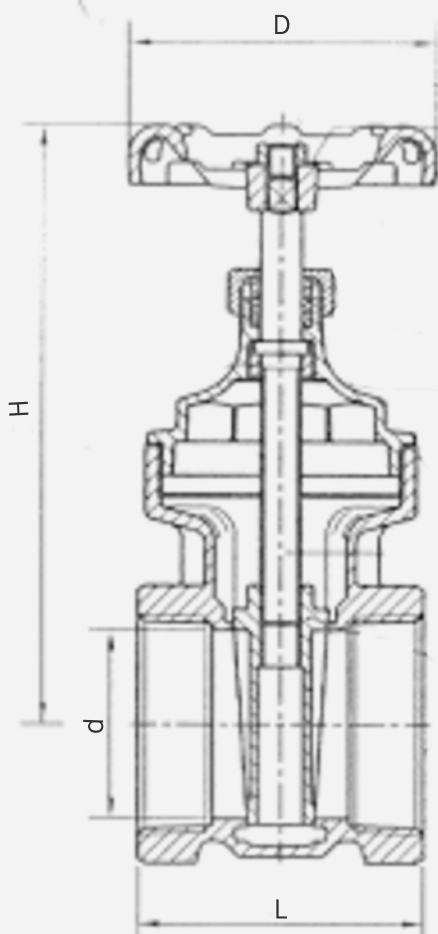


Threaded Gate Valve

Lead Free

FEATURES

- Brass Full Port Construction – C46400 brass alloy includes tin for added corrosion resistance and excellent strength
- Lead Free – Meets NSF/ANSI 61, and NSF372/ANSI 372 standards for safe use in commercial and residential lead-free drinking water systems
- FNPT x FNPT Connection



SKU	d	D	H	L
GTVT050	.53"	2.08"	2.91"	1.71"
GTVT075	.75"	2.12"	3.31"	1.97"
GTVT125	1.26"	2.72"	4.61"	2.24"
GTVT150	1.50"	3.15"	5.07"	2.44"