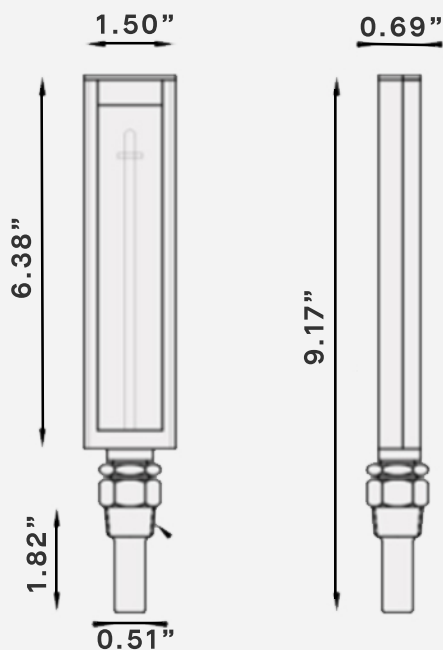


5" Straight Thermometer with Thermowell (30-Degree (F) to 240-Degree (F))

SKU: GTH5-50T

FEATURES

- An all-purpose, economical thermometer with a vertical sensing tube and case.
- Separable brass thermowell
- Impact resistant ABS case
- Red, non-mercurial liquid-in glass
- Dual scale (°F & °C)
- Connects at the bottom
- 1/2" NPT process connection



Temperature scale	30-240 °F / 0-115 °C
Case	6" Black ABS case
Lens	Glass
Scales	Aluminum painted white with black markings
Sensing Liquid	Organic fluid
Stem	Brass
Thermowell	1/2"NPT, Brass
Accuracy	±2%