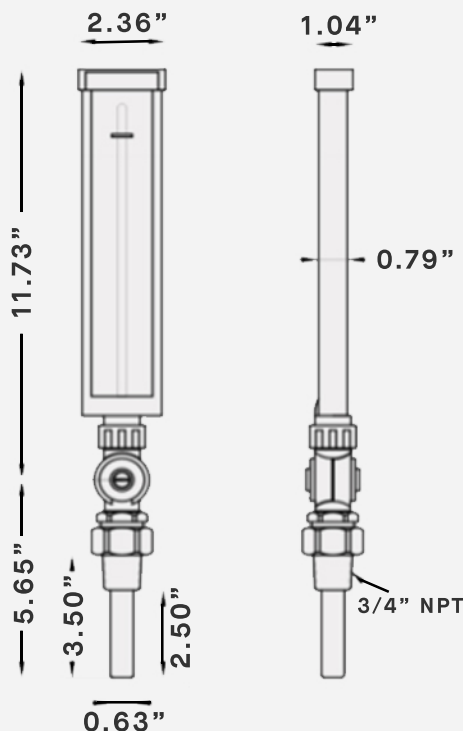


3.5" Industrial Thermometer w/ Valox Case - Lead Free (30°F to 240°F)

SKU: GTH35LF-240-V

FEATURES

- **Widely specified** - 9" Valox case and 3-1/2" stem length are commonly used throughout the industrial and commercial plumbing trade.
- **Dual scale** - Fahrenheit and Celsius readouts make this thermometer an economical and accurate way to measure air or water temperatures.
- **Non-Mercury** - Filled with a non-toxic organic solution
- **Easy to Install** - Vari-angle connection, separable brass thermowell, and 360-degree case rotation makes installation simple.



Temperature scale	30-240 °F / 0-115 °C
Case	9" Valox case
Lens	Glass
Connection	3/4" NPT with thermowell
Scales	Aluminum painted white with black markings
Bulb Chamber	Tapered cast aluminum
Sensing Liquid	Organic fluid
Adjustment	Fully adjustable
Thermowell	3/4" lead-free brass separable socket
Accuracy	±1%