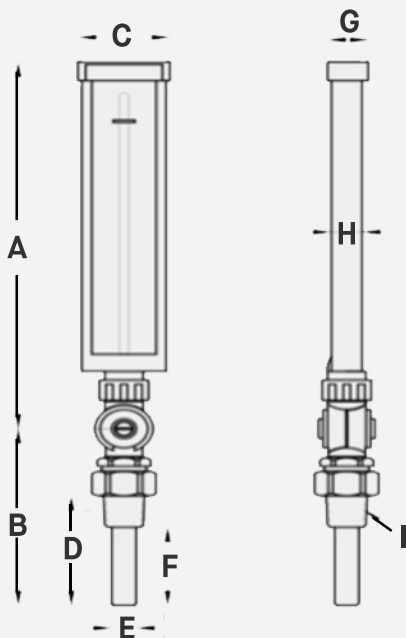


# 3.5" Industrial Thermometer w/ Valox Case

(30-Degree (F) to 240-Degree (F))

## FEATURES

- **Widely Specified** – 9" Valox case and 3-1/2" stem length are commonly used throughout the industrial and commercial plumbing trade.
- **Dual scale** - Fahrenheit and Celsius readouts make this thermometer an economical and accurate way to measure air or water temperatures.
- **Non-Mercury** – Filled with a non-toxic organic solution.
- **Easy to Install** – Vari-angle connection, separable brass thermowell, and 360-degree case rotation makes installation simple.



SKU	A	B	C	D	E	F	G	H	I
GTH35-240-V	11.73"	5.65"	2.36"	3.50"	0.63"	2.50"	1.04"	0.79"	3/4" NPT

Temperature Scale	30-240°F / 0-115°C
Case	9" Valox case
Lens	Glass
Connection	3/4" NPT with thermowell
Scales	Aluminum painted white with black markings
Bulb Chamber	Tapered case aluminum
Sensing Liquid	Organic fluid
Adjustment	Fully adjustable
Thermowell	3/4" Brass separable socket
Accuracy	±1%