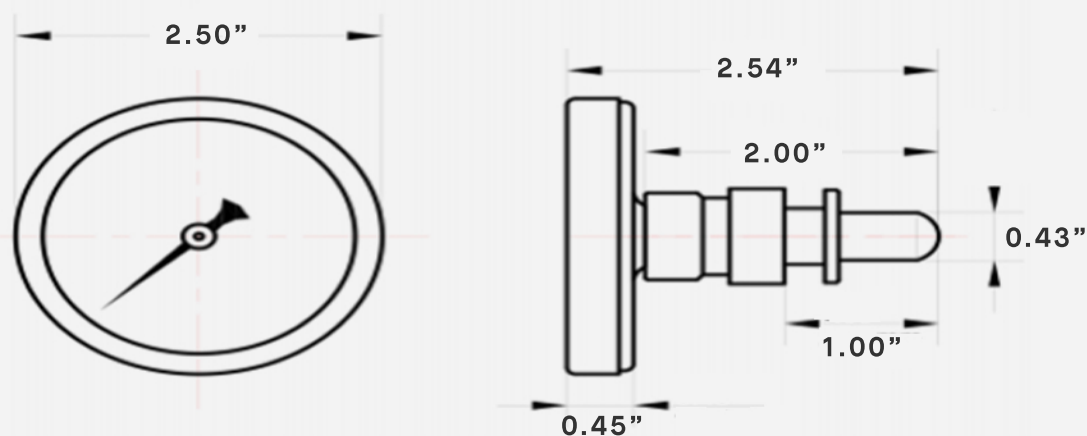


2.5" Hot Water Thermometer w/ 3/4" Sweat Well (32°F to 250°F)

SKU: GTH25-75C

FEATURES

- **Dual scale** - Fahrenheit and Celsius readouts make this brass thermowell an economical and accurate way to measure hot water in lines, boilers, and hydronic heating applications.
- **Easy to Install** - 3/4" sweat process connection makes the thermometer widely-compatible with equipment



Scale	30-250 °F / 0-120 °C
Dial	2-1/2", black markings
Case	Chromed plated steel
Lens	Glass
Ring	Stainless steel
Thermowell	Brass, 3/4" sweat well
Connection Type	Back
Stem	Brass