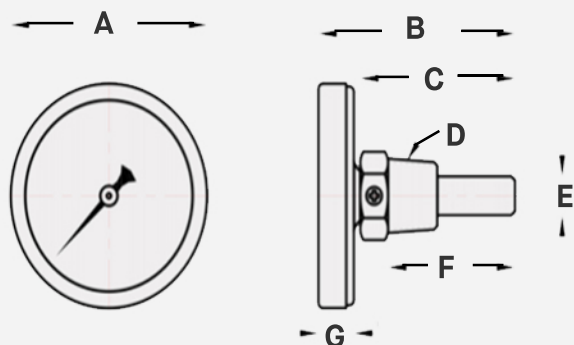


2.5" Hot Water Thermometer with 1/2" NPT Connection

32-Degree (F) to 250-Degree (F)

FEATURES

- **Dual scale** - Fahrenheit and Celsius readouts make this 50mm brass thermowell an economical and accurate way to measure air or water temperatures.
- **Easy to Install** - 1/2" NPT process connection makes the thermometer widely-compatible with equipment.



SKU	A	B	C	D	E	F	G
GTH25-50T	2.50"	2.50"	1.97"	1/2" NPT	0.43"	1.61"	0.45"

Temperature Scale	30-250°F / 0-120°C
Dial	2-1/2" black markings
Case	Chrome plated steel
Lens	Glass
Ring	Stainless Steel
Thermowell	Brass, 1/2" NPT, 50mm
Connection Type	Back
Stem	Brass
Pointer	Aluminum, painted black
Sensing Element	Bi-metallic element
Accuracy	2.5% of full scale